

TFF001

50 GHz D Flip-Flop

Features

- ◆ Differential D Flip-Flop
- ◆ Up to 50 GHz Operation
- ◆ Differential or Single Ended Input
- ◆ 50Ω Single Ended Impedance
- ◆ Differential Output
- ◆ Single Power Supply: +3.3V
- ◆ 4mm x 4mm QFN package
- ◆ Power Dissipation: 380 mW
- ◆ Output >700mVpp Differential
- ◆ Adjustable Output Signal Amplitude
- ◆ Minimum Input Power >-20dBm

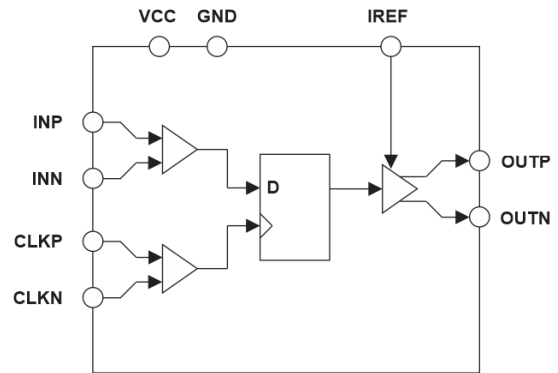



Figure 1 - Functional Block Diagram.

Product Description

The TFF001 is part of the new family of 50GHz logic devices. The TFF001 is a D Flip-Flop that can operate up to 50GHz and have an adjustable output voltage.

Ordering information

PART NUMBER	DESCRIPTION	CAUTION DEVICE SUSCEPTIBLE TO DAMAGE BY ELECTROSTATIC DISCHARGE (ESD) 
TFF001-QN	50 GHz D Flip-Flop	
EVTFF001	Evaluation Board	